

CORRIGENDUM

Corrigendum: Dynamical stability of the one-dimensional rigid Brownian rotator: the role of the rotator's spatial size and shape (2018 *J. Phys.: Condens. Matter* [30 195304](#))

To cite this article: Jasmina Jekni-Dugi *et al* 2018 *J. Phys.: Condens. Matter* **30** 279502

View the [article online](#) for updates and enhancements.

Related content

- [Corrigenda](#)
P.J. McCarthy, K.S. Riedel, O.J.W.F. Kardaun *et al.*
- [Corrigenda](#)
B.B. Kadomtsev
- [Corrigendum](#)
L.M. Kovrizhnykh, S.G. Shasharina and Yu.A. Volkov



IOP | ebooks™

Bringing you innovative digital publishing with leading voices to create your essential collection of books in STEM research.

Start exploring the collection - download the first chapter of every title for free.

Corrigendum

Corrigendum: Dynamical stability of the one-dimensional rigid Brownian rotator: the role of the rotator's spatial size and shape (2018 *J. Phys.: Condens. Matter* **30** 195304)

Jasmina Jeknić-Dugić¹, Igor Petrović², Momir Arsenijević³
and Miroljub Dugić³

¹ University of Niš, Faculty of Science and Mathematics, Višegradska 33, 18000 Niš, Serbia

² Svetog Save 98, 18230 Sokobanja, Serbia

³ University of Kragujevac, Faculty of Science, Radoja Domanovića 12, 34000 Kragujevac, Serbia

E-mail: mdugic18@sbb.rs

Received 13 May 2018, revised 22 May 2018

Accepted for publication 24 May 2018

Published 12 June 2018



The initial values chosen for the second moments (on pages 4 and 7), $\sigma_\varphi(0) = 0.1$, $\sigma_L(0) = \sigma(0) = 1$ are not correct due to the Cauchy–Schwarz inequality formulated for quantum covariance: $\sigma = \langle \varphi L + L \varphi \rangle - 2\langle \varphi \rangle \langle L \rangle \leq 2\sigma_\varphi \sigma_L$. A proper choice would be $\sigma_L(0) = 1$, $\sigma_\varphi(0) = \sigma(0) = 0.1$. This correction slightly alters the figures 2–6 of the paper. Below we give the figures that follow the correct choice of the initial momenta while attaining the figure captions as well as the

parameters' values everywhere, except for figures 4(b) and 5(b), where (for better visibility) the time instant is chosen $t = 0.001$.

It is essential to note that the corrections *do not alter the findings and conclusions of the paper*, in any possible respect—the results are *qualitatively* robust to the (proper) choice of the initial state of the rotator, although the quantitative differences are obvious.

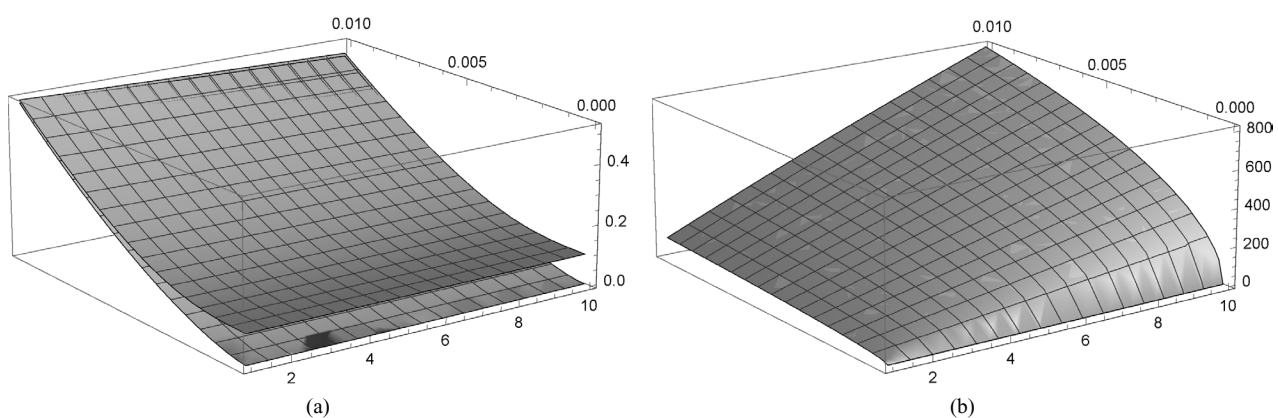


Figure 1. This figure exchanges figure 2 of the original paper.

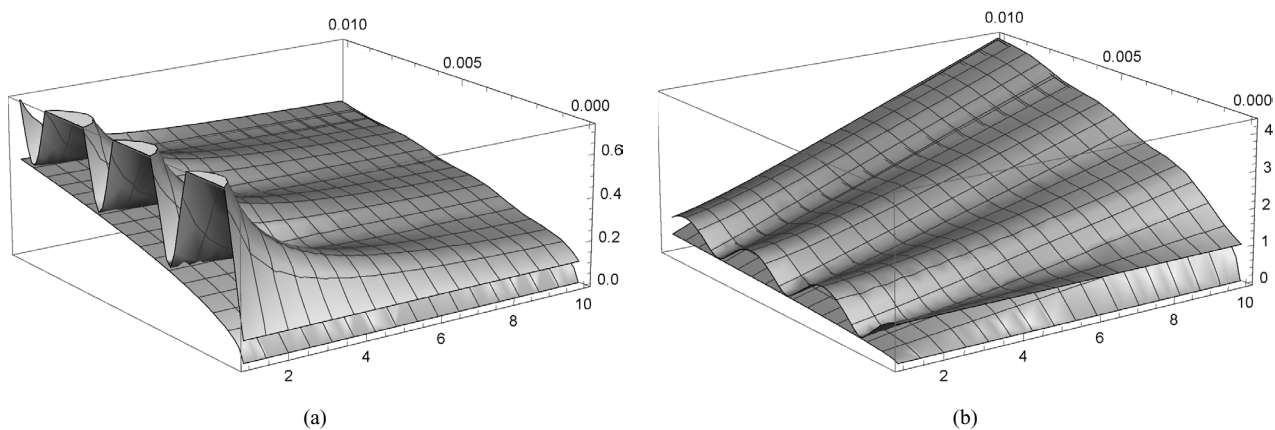


Figure 2. This figure exchanges figure 3 of the original paper.

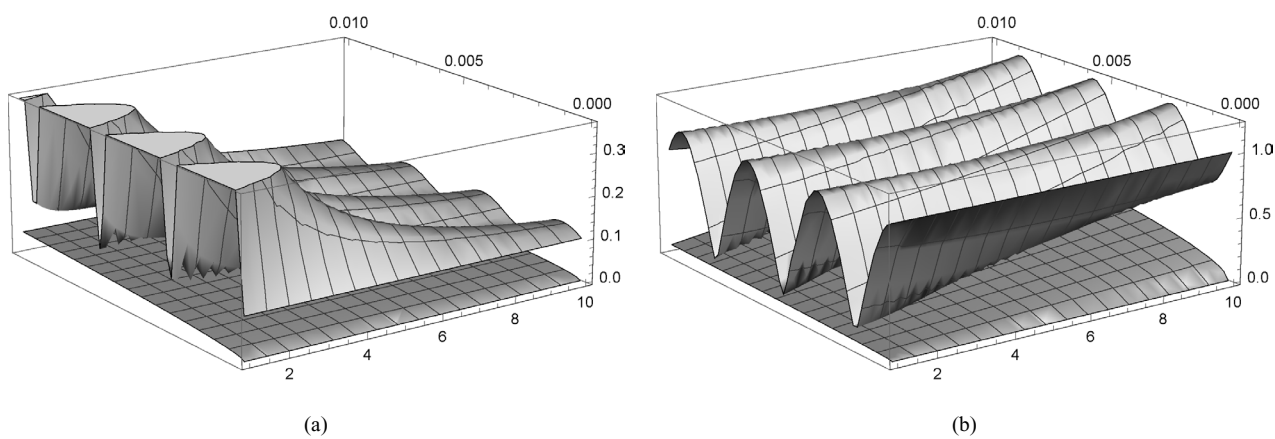


Figure 3. This figure exchanges figure 4 of the original paper.

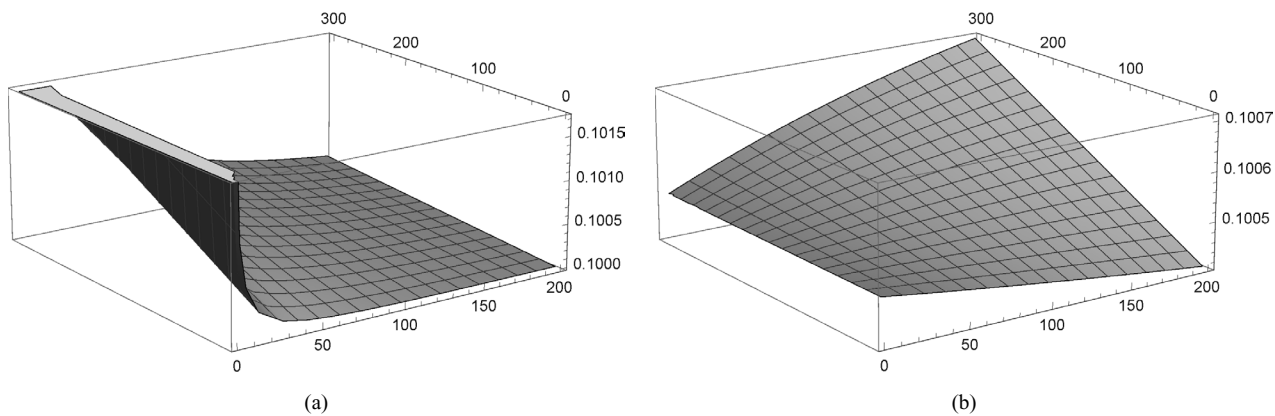


Figure 4. This figure exchanges figure 5 of the original paper.

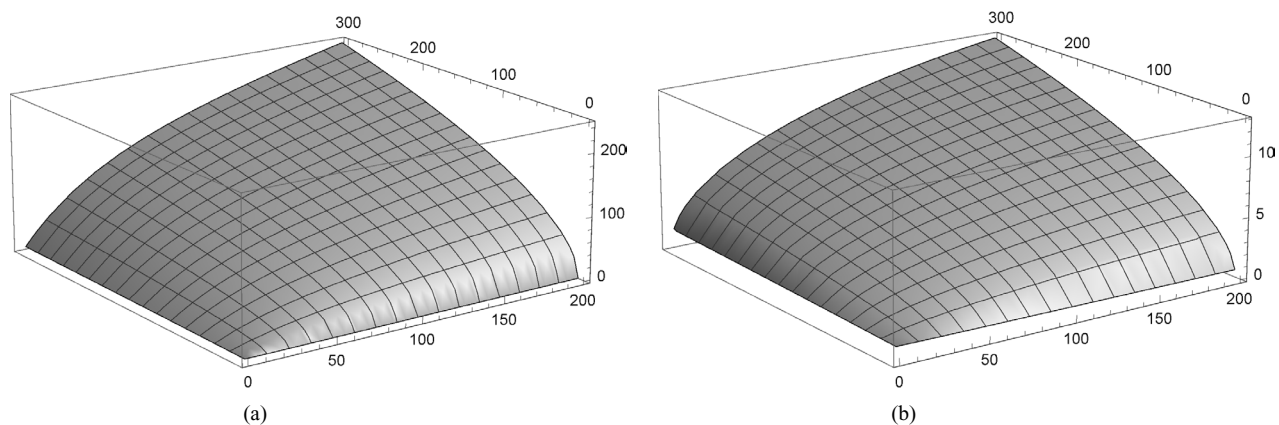



Figure 5. This figure exchanges figure 6 of the original paper.

ORCID iDs

Jasmina Jeknić-Dugić  <https://orcid.org/0000-0002-4905-6457>

Igor Petrović  <https://orcid.org/0000-0002-8546-3623>

Momir Arsenijević  <https://orcid.org/0000-0003-4622-642X>

Miroljub Dugić  <https://orcid.org/0000-0002-4493-6009>